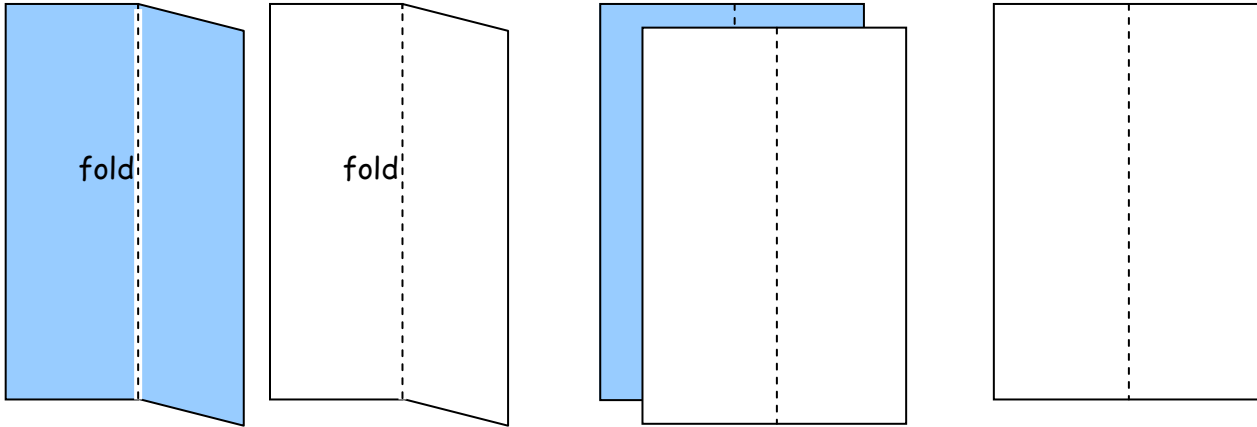
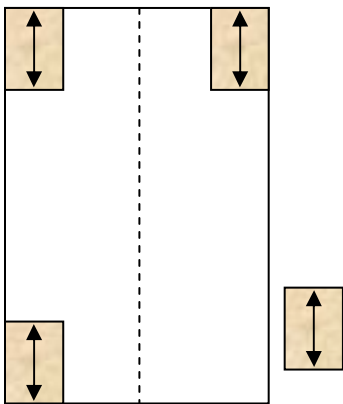


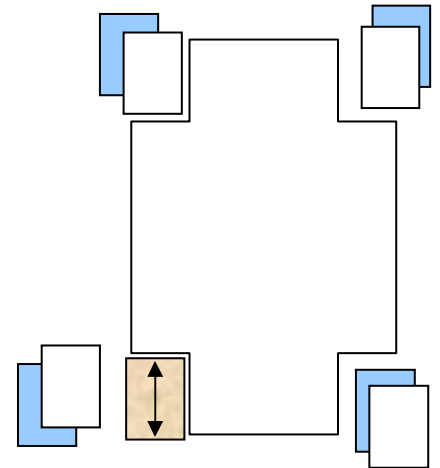
1) open two pieces of fleece (6' long) and place the two pieces together matching the edges and corners, make sure the folds are going the same direction



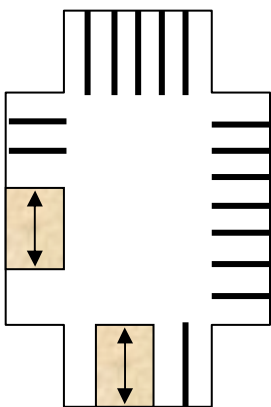
2) place the cardboard template (4" X 5") at each corner of the fleece, make sure the arrow on the template is going the same direction as the crease from



3) cut off each corner by cutting around the template making sure to cut through both layers

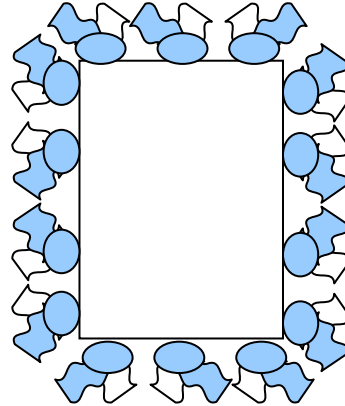
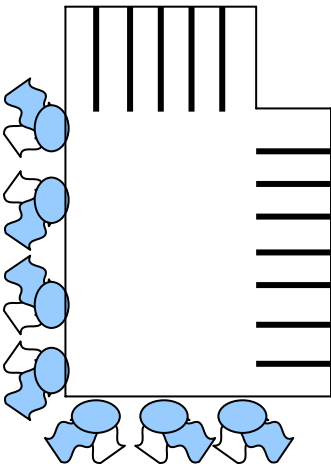


4) using the same template, cut fringe about 1 1/4" wide on all four sides of the blanket making sure to cut through both layers of fleece, make sure the length of the fringe matches the template



THE MORE FRINGE PER SIDE,
THE MORE FRINGE THERE IS TO TIE.
THE WIDER THE FRINGE THE HARDER IT IS TO TIE.

5) tie the fringe from the
top layer of fleece to the
bottom layer of fleece



6) when finished, color in
one square on the Blanket
Blitz Counting Quilt